



TYL[®]-CELL 100

Inorganic Polyethylene Joint Filler

202402

DESCRIPTION

TYL[®]-Cell 100 is closed cell non-absorbent, firm, compressible, single thickness, non-rotting polyethylene joint filler for use as a expansion joint filler in brick, block work and concrete where a readily compressible low load transfer joint filler is required.

USES

- Road work and on grade slab expansion joint. Isolation layer between concrete structures.
- Drainage work, water retaining and watertight structures.
- Expansion joint filler in bridge decks and abutments.
- As a gap filler to fill open joints in panel construction to provide support for joint sealants.
- As a caulking material
- Water retaining structures for potable and fresh water.

SPECIFICATION COMPLIANCE

- CEDD G.S. Clause 10.11 and 10.19
- CEDD G.S. Clause 16.74. to 16.75
- CEDD G.S. Clause 16.81(1)(a)
- CEDD G.S. Clause 16.92 (a) to (c)

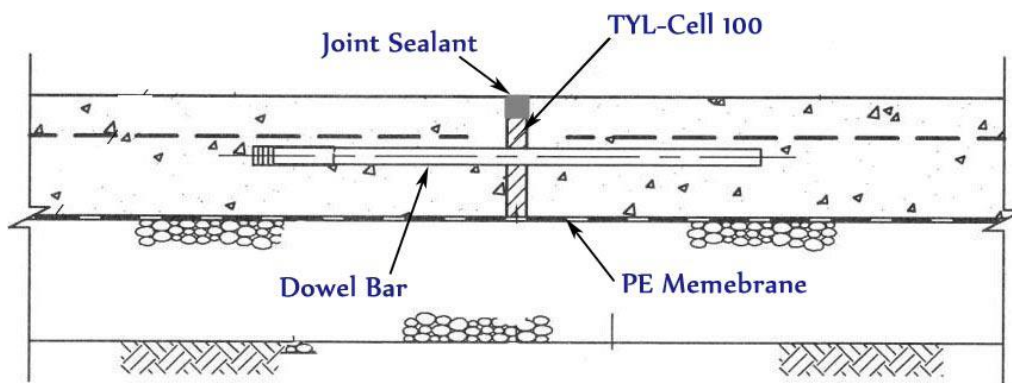
PHYSICAL & MECHANICAL PROPERTIES

Property	Test Method	Typical Results
Recovery Value	G.S.2006:Appendix 16.3	> 70%
Reduction in Mass	G.S.2006:Appendix 16.3	0.0%
Weathering Test	PAA Spec Clause 16.3.3	No disintegration
Extrusion Test	G.S.2006:Appendix 16.3	< 6mm



ADVANTAGES

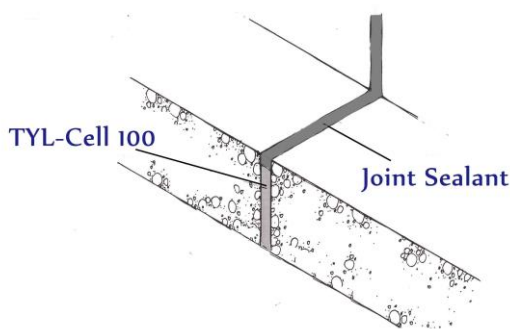
- Readily compressible.
- Excellent recovery.
- Resistant to aerobic and anaerobic microbiological attack.
- Resistant to pests, diesel oil, petrol, dilute acids and alkalis attack.
- Resistant to pests such as termites.
- When it is use as the joint filler, no additional bond breaker tape is necessary
- Regulate depth of sealant application.
- Durable & Non Toxic
- Not release a toxic gases if it is ignited



APPLICATION INSTRUCTIONS

When used as an expansion or isolation joint filler in brickwork and concrete, TYL®-Cell 100 should be positioned to provide for a surface sealing slot of the required dimension ensuring that the sealing slot is free from mortar droppings or slurry bridging.

TYL®-Cell 100 should be fixed into position using a suitable contact adhesive (such as TYL®-BituProof) ensuring that the sealing slot is not contaminated with adhesive.



PACKAGING

Sheet	5, 10, 15, 18, 20, 25, 30
thickness :	35, 36, 40, 50, 54 and 100mm.

Sheet size :	1M x 2M.
--------------	----------

*Special dimension is an available upon request

LIMITATIONS

Being made from a thermoplastic material, TYL®-Cell 100 will burn on contact with fire directly.

HEALTH & SAFETY

There are no health hazards associated with TYL®-Cell 100 in normal use.

STORAGE

It should be stored in the dry and not left exposed to the elements for extended periods, especially in hot climates.

Please enquire about our range of construction product

The information and the recommendations relating to the application and end use if this product are given in good faith and are based on the information provided by the manufacturer of the product and/or the Company's current knowledge and experience in connection with the product when properly stored, handled and applied under normal conditions and no liability if final function at the job site is assumed. In practice, the differences in materials, substrates and actual site conditions are such that no warranty in respect of merchantability of or fitness for a particular purpose, nor any liability arising out of any legal relationship whatsoever, can be inferred either from this information, or from any written and/or oral recommendations, or from any other advice offered by the Company. No responsibility or Liability by the Company will be accepted for misuse, misreading or derivation from the recommended guidelines in respect of this product and the user shall determine the suitability of the product for his intended use and all risks and liability in connection therewith. The information contained in this brochure may change at any time without notice.